

ORIGINAL INSTRUCTIONS

WARNING READ BEFORE INSTALLING AND OPERATING WINCH INSTALLATION

Mounting structure must be capable of withstanding loads within the capacity of the winch. Mount winches with 3/8" (M10) diameter bolts and lock nuts.

OPERATING

Ambient operating temperature between -10°C and +50°C. Do not exceed the load capacity rating of the winch. Capacity rating is based on one layer of line around drum. As line builds on drum, capacity decreases. Obtain cable and rope manufacturers recommendation for size and type. Use proper end connection for attaching the hook to the cable or rope. When anchoring line to drum, 4 to 6 wraps must remain on drum to supply friction for a proper anchor. Keep rope or cable properly aligned on drum.

CAUTION: NEVER FULLY EXTEND THE ROPE OR CABLE WHILE UNDER LOAD.

INSPECTION & MAINTENANCE

Moving parts including gears, ratchets and shafts must be kept clean and lubricated to insure proper and safe operation.

Components can be affected by chemicals, salts and rust and should be examined for safe operation before each use. Do not operate winch if line is knotted or kinked or has any sign of weakening. Please replace a new line to ensure the operational safety. Be sure that the steel cable, rope or strap is strong enough to move the load.

Keep hands away from load bearing cables, ropes, sheaves, drums and pulleys while operating. If the switch spring is broken or locking system failure, please stop operation and repair.

CAUTION

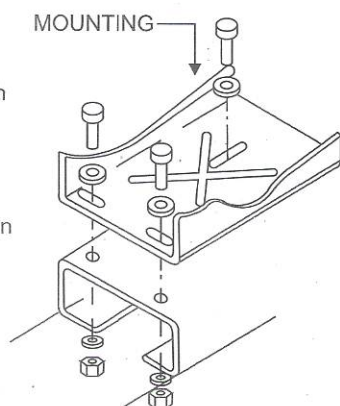
Boat trailers not equipped with keel and side hull rollers are designed to be submerged in the water when the boat is loaded, i.e., the boat should be "floated" onto the trailer. If the trailer is not submerged, attempts to "drag" the boat onto this type of trailer can cause winch failure and possible injury.

Winches are not designed to secure boats to trailers. Boat tie downs should be used.

Do not release handle when ratchet lever is in unlocked position with load on winch. Handle could spin violently which may cause serious injury.

NOTE :

For increased strength and safety, this winch should be mounted with three 3/8" (M10) bolts, washers and lock washers as shown in the drawing.



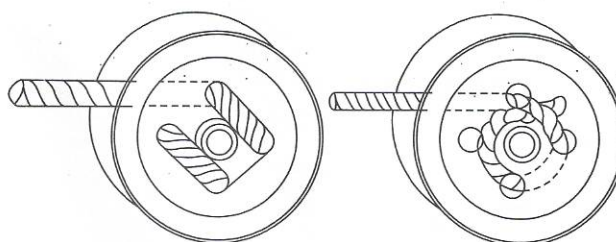
WARNING

This winch should only be used for hauling or pulling loads. It must not be used for lifting or lowering loads or for the movement of humans.

INSTRUCTIONS FOR ATTACHING ROPE TO WINCH DRUM

Requires no bolts, nuts or rope keeper. See illustration below of two ways of threading rope through holes in drum side.

CAUTION: Never fully extend the rope while pulling a load. Keep four (4) complete turns of rope around the drum, otherwise rope can pull loose from drum.



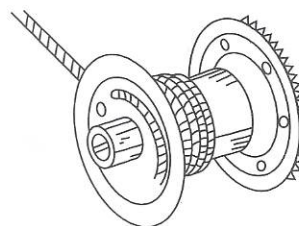
HEAVY LINE

LIGHT LINE

INSTRUCTIONS FOR ATTACHING CABLE TO WINCH DRUM

Requires cable keeper fastened through square holes. See illustration below :

CAUTION: Never fully extend the cable while pulling a load. Keep four (4) complete turns of cable around the drum, otherwise cable can pull loose from drum.



MODEL NO.	RATED LOAD (Safe Working Load)	NOISE LEVEL dB(A)
W06-506	150kg	84.3
W06-508	250kg	84.06
W06-512	320kg	82.9
W06-(D)516	420kg	89.8
W06-(D)520	500kg	89.8

Measurement uncertainty: 4dB(A)

* : no-loading

HANDLE AND NUT MUST BE TIGHTENED AGAINST SHOULDER BEFORE OPERATING WINCH.

**Certificate
of conformity with the following
European Directives**

Registered No.:
NM1105100094

Machinery Directive 2006/42/EC

Reference of applicant	Date of application	File reference	Test report No.	Date of issue	Expiry date
-	31.07.2010	TWR1007025	TWR1007025 001/002	27.12.2010	-

This is to certify that the following product complies to all the provisions of the above mentioned European Directive and the following standards:

Product: Manual Winch
Type designation: W06-506, W06-508, W06-512, W06-D520, W06-525
Serial No.: Engineering samples
Applicant: J&K International Co., Ltd.
 20, LANE 180, JING JUANG ST., TALI, TAICHUNG, TAIWAN 41263
Standard(s): Annex I of Machinery Directive 2006/42/EC
 BGV D8-1997

This Certificate of conformity is based on the evaluation of sample(s) of the above mentioned product. It does not imply an assessment of the production and it does not permit the use of a mark of conformity or of a safety mark of the TÜV NORD Group. This is to certify that the tested sample is in compliance with the essential requirements referred to machinery directive 2006/42/EC. This certificate can be used by holder in connection with the EC declaration of conformity indicating conformity according to Machinery Directive.



TUV Asia Pacific Ltd, Taiwan Branch
 Member of German TÜV NORD Group
 Email: info_pc@tuv-nord.com
 www.tuvnord.com.tw/search.asp

The Status and authenticity of this certificate may be verified by visiting the official TÜV Asia Pacific Ltd, Taiwan Branch website.
 The CE marking may be affixed on the product if all relevant and effective Directives are complied with.
 NB No.: 0044 TÜV NORD Group, Am TÜV 1, 30519 Hannover, Germany

**Certificate
of conformity with the following
European Directives**

Registered No.:
NM1105130005

Machinery Directive 2006/42/EC

Reference of applicant	Date of application	File reference	Test report No.	Date of issue	Expiry date
-	04.12.2012	TWR1212009	TWR1212009 001/002	22.02.2013	21.02.2018

This is to certify that the following product complies to all the provisions of the above mentioned European Directive and the following standards:

Product: Manual Winches
Type designation: W06-516, W06-520A, W06-525A, W06-D532
Serial No.: Engineering samples
Applicant: JUN KAUNG INDUSTRIES CO., LTD.
 20, LANE 180, JING JUANG ST., TALI, TAICHUNG, TAIWAN 41263
Standard(s): Annex I of Machinery Directive 2006/42/EC
 BGV D8-1997

This Certificate of conformity is based on the evaluation of sample(s) of the above mentioned product. It does not imply an assessment of the production and it does not permit the use of a mark of conformity or of a safety mark of the TÜV NORD Group. This is to certify that the tested sample is in compliance with the essential requirements referred to machinery directive 2006/42/EC. This certificate can be used by holder in connection with the EC declaration of conformity indicating conformity according to Machinery Directive.



TUV Asia Pacific Ltd, Taiwan Branch
 Member of German TÜV NORD Group
 Email: info_pc@tuv-nord.com
 www.tuvnord.com.tw

The Status and authenticity of this certificate may be verified by visiting the official TÜV Asia Pacific Ltd, Taiwan Branch website.
 The certification system is based on ISO Guide 65.
 The CE marking may be affixed on the product if all relevant and effective Directives are complied with.
 The TÜV NORD Group is active in more than 70 countries in Europe, Asia, America and Africa. Headquarter of the TÜV NORD Group in Am TÜV 1, 30519 Hannover, Germany

**Certificate
of conformity with the following
European Directives**

Registered No.:
NM1105130018

Machinery Directive 2006/42/EC

Reference of applicant	Date of application	File reference	Test report No.	Date of issue	Expiry date
-	19.12.2012	TWR1212021	TWR1212021 001/002	03.06.2013	02.06.2018

This is to certify that the following product complies to all the provisions of the above mentioned European Directive and the following standards:

Product: Manual Stainless Winches
Type designation: W06-508-9, W06-512-9, W06-D516-9, W06-D520-9
Serial No.: Engineering samples
Applicant: JUN KAUNG INDUSTRIES CO., LTD.
 20, LANE 180, JING JUANG ST., TALI, TAICHUNG, TAIWAN 41263
Standard(s): Annex I of Machinery Directive 2006/42/EC
 BGV D8-1997

This Certificate of conformity is based on the evaluation of sample(s) of the above mentioned product. It does not imply an assessment of the production and it does not permit the use of a mark of conformity or of a safety mark of the TÜV NORD Group. This is to certify that the tested sample is in compliance with the essential requirements referred to machinery directive 2006/42/EC. This certificate can be used by holder in connection with the EC declaration of conformity indicating conformity according to Machinery Directive.



TUV Asia Pacific Ltd, Taiwan Branch
 Member of German TÜV NORD Group
 Email: info_pc@tuv-nord.com
 www.tuvnord.com.tw

The Status and authenticity of this certificate may be verified by visiting the official TÜV Asia Pacific Ltd, Taiwan Branch website.
 The certification system is based on ISO Guide 65.
 The CE marking may be affixed on the product if all relevant and effective Directives are complied with.
 The TÜV NORD Group is active in more than 70 countries in Europe, Asia, America and Africa. Headquarter of the TÜV NORD Group in Am TÜV 1, 30519 Hannover, Germany