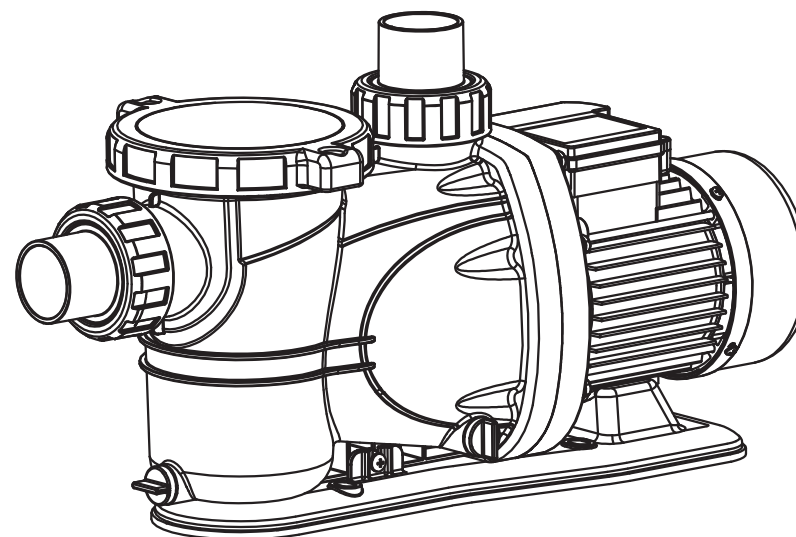




Pool Pump

Instruction Manual



LEO GROUP PUMP(ZHEJIANG) CO.,LTD.

Add: No.1,3rd Street, East Industry Center,317500
Wenling City, Zhejiang P.R.China

Tel: 0086-576-89986360

Fax: 0086-576-89989898

Email:export@leogroup.cn

www.leogroup.cn

- XKP554
- XKP554E
- XKP1104
- XKP1104E
- XKP804
- XKP804E
- XKP1604
- XKP1604E
- XKP904
- XKP904E
- XKP2204
- XKP2204E

CONTENTS

1.General	2
2. Pump Fixing	3
3. Installation of the pipes	3
4. Electrical Installation	4
5. Check before first starting the pump.....	5
6. Starting the pump	5
7. Servicing	5
8. Problems and Solutions	5
9. Technical data of pumps	7

This appliance can be used by children aged from 8 years and above and persons with reduced physical, sensory or mental capabilities or lack of experience and knowledge if they have been given supervision or instruction concerning use of the appliance in a safe way and understand the hazards involved.

Children shall not play with the appliance. Cleaning and user maintenance shall not be made by children without supervision.

Attention!

If the appliance or the supply cord is damaged, it must be repaired by manufacturer, its service agent or qualified person.



Meaning of crossed –out wheeled dustbin:
Do not dispose of electrical appliances as unsorted municipal waste, use separate collection facilities.

Contact you local government for information regarding the collection systems available.

1. General

This manual provides information relating to the installation, utilization and maintenance of our pumps.

Please ask professional people to install the swimming pool pump.

We recommend that you read it attentively and keep it for future consultation.

These swimming pool pumps are for permanently installed pools they must be fixed horizontal, self-priming centrifugal pumps. Installing a non-return device will result in immediate priming. For the pumps to function correctly, the water temperature must not exceed 35°C. The materials used in our pumps have undergone stringent hydraulic test and electrical inspections.

Read this manual carefully before installing the pump. The pump must be installed in accordance with the standards in effect.

We decline all responsibility for the consequences of failure to comply with the installation instructions. We recommend that you comply with the electrical connection diagrams to avoid overloading the pump motor.

EVIDENCE OF CONFORMITY

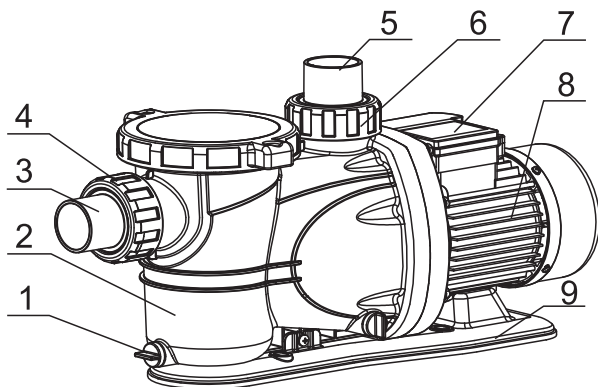
These products are complied with the following directives:

Electromagnetic Compatibility 2004/108/EC, Low Voltage 2006/95/EC and two European Standards

EN 60335-1 and EN 60335-2-41

Directive WEEE directive 2002/96/EC, ROHS directive 2002/95/EC

For example



1. Plug screw 2. Pump body 3. Water input connection 4. Nut 5. Water output connection 6. Nut 7. Terminal box 8. Motor 9. Base

This appliance is not intended for use by persons (including children) with reduced physical, sensory or mental capabilities, or lack of experience and knowledge, unless they have been given supervision or instruction concerning use of the appliance by a person responsible for their safety.

Children should be supervised to ensure that they do not play with the appliance

The pump must not be used when people are in the water

9. Technical data of pumps

Ref.	Qmax (m ³ /h)	Hmax (m)	IP	P (W)
XKP554/XKP554E	17	10	IPX5	600
XKP804/XKP804E	19	11	IPX5	800
XKP904/XKP904E	20	14	IPX5	900
XKP1104/XKP1104E	22	15	IPX5	1100
XKP1604/XKP1604E	27	17	IPX5	1600
XKP2204/XKP2204E	31	18	IPX5	2200

BLE FAULTS					CAUSES	SOLUTIONS
1	2	3	4	5		
×	×				Air entry	Verify watertightness of connectors and seals
×					Bad watertightness of cover	Clean the cover and verify the seals
×	×				Excessive suction height	Set pump at a suitable level
×	×		×		Incorrect voltage	Verify the voltage specified on the nameplate and that of the mains
×					No water in prefilter	Fill prefilter with water
	×				Filter clogged	Clean filter
	×	×			Diameter of section line smaller than required	Correctly dimension section line
	×				Discharge clogged	Inspect filter and discharge line
		×			Incorrect pump attachment	Attach pump correctly
		×			Refuses in pump	Clean pump and inspect the filter
			×		No tension	Reset the fuses
				×	Motor blocked	Call the technical service



Meaning of crossed –out wheeled dustbin:

Do not dispose of electrical appliances as unsorted municipal waste, use separate collection facilities.

Contact you local government for information regarding the collection systems available.

If electrical appliances are disposed of in landfills or dumps, hazardous substances can leak into the groundwater and get into the food chain, damaging your health and well-being.

When replacing old appliances with new ones, the retailer is legally obligated to take back your old appliance for disposals at least free of charge.

2. Pump Fixing



Caution:

You should make sure that the pump and terminals connections are protected from the monistruue and possible floods.

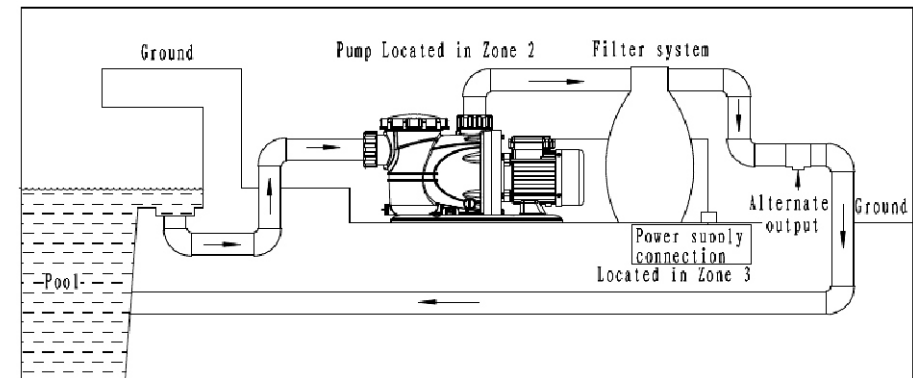
Installation of the pumps is only authorized in swimming pools and basins that comply with the standards in effect.

The pumps are usually installed between the skimmer and the pool filter. They must be positioned as close as possible to the water level to minimize the suction distance and reduce head losses.

It is recommended not to install the pump more than 3 meters above the water level. Independently of the height of the pump above the water and the capacity of the chosen model, priming can take several minutes.

The pump must be mounted on a firm base, and can be bolted to the ground through the attaching holes in the base with the bolte. The pump must be installed with the shaft in the horizontal position and the pre-filter cover on the top. Make sure that the transparent cover is accessible so that it can be removed with the filtering basket for cleaning. Pumps must be installed in a dry, well –ventilated place, and sheltered from rain.

The pump of XKP 04 series are easily assembled and connected. If in doubt, contact your specialist supplier or a qualified electrician.



3. Installation of the pipes

If plastic pipes are used, they must be sealed using TEFLON tape .

The diameter of the delivery and suction pipes must be greater than or equal to that of the pump inlet and outlet ports. Try to limit head losses by minimizing the length of the suction pipe and avoiding having bends and twisty pipe routings as possible .Unions must be new and perfectly clean to guarantee absolute tightness.

The delivery and suction pipes must not under any circumstances induce mechanical loads on the pump.

It is recommended to install suction and delivery valves in order to isolate the pump.

4. Electrical Installation

The user shall inspect and make sure about the effectiveness of protective earthing of the building installation. In such case, an authorized qualified person shall inspect the building installation.

It is obligatory for the pump electrical power supply to have residual current device (RCD) having a rated residual operating current not exceeding 30 mA.

The power cable must comply with type H07 RN-F 3X 1,0mm²

Single –phase pump motors have a built –in thermal protection device.

Never work on a pump without first checking that the electrical power is switched off.



Caution:

The pump must be located in Zone 2(usually at least 2 meters away from the pool) and the power supply connection for the pump must be located in Zone 3(usually at least 3,5m away from the pool) according to the requirement stated in International standard: Electrical installations of buildings – part 7: Requirement for special installations or locations - Swimming pools and other basins (IEC60364-7-702)

In spite of the earthing terminal, the swimming pool pumps must have its equipotentiality terminal connected to the equipotentiality terminal in electric wiring before it is put into use, the equipotentiality terminal is marked with the symbol below. If you have any doubt please contact with your electric specialist.



The electrical installation should comply with the national wiring rules

If the supply cord is damaged, it must be replaced by the manufacturer, its service agent or similarly qualified persons in order to avoid a hazard.

The pumps can be operated continuously.

There's must be an all-pole disconnection switch directly connected to the supply terminals and shall have a contact separation in all poles, providing full disconnection under overvoltage category III conditions.

If you have any doubt please contact with your electric specialist.

Please ask professional people to install the swimming pool pump.

5. Check before first starting the pump

1. Check that the mains power voltage and frequency correspond to those indicated on the identification plate affixed to the pump.
2. Check that the pump shaft turns freely.
3. Unscrew the pre-filter cover and fill the pump with water up to the lower level of the suction pipe.
4. Screw firmly the pre-filter cover back in place.
5. If the motor does not start, or if no water is extracted, refer to the table of possible failures and remedies on the following pages.
6. **NEVER OPERATE THE PUMP WHEN NOT FILLED WITH WATER** or with water inlet sucked.

6. Starting the pump

After filling the pump with water, open all the suction and delivery valves and start the motor. Wait for self-priming to take place. The pump is correctly primed when the water level is just below the transparent cover.

7. Servicing

Our pumps require no particular servicing .It is nevertheless recommended to clean the pre-filter periodically .This is a simple operation, close the suction and delivery valves, loosen the black nuts and remove the pre-filter cover, withdraw the filtering basket and clean it .Examine the pre-filter cover gasket and replace it if damaged .If the pump is not used over the winter period, it must be emptied (by removing the drain plug) to avoid damage through freezing, cleaned and stored in a dry and well aired place. In the event of failure, do not try to repair the pump, contact our technical service.

Do be sure to disconnect the pump from electric supply before any servicing is carried out.

8. Problems and Solutions

POSSIBLE FAULTS

1. Pump does not prime
2. Low flow rate
3. Pump makes noise
4. Pump does not start
5. Motor makes noise but does not start